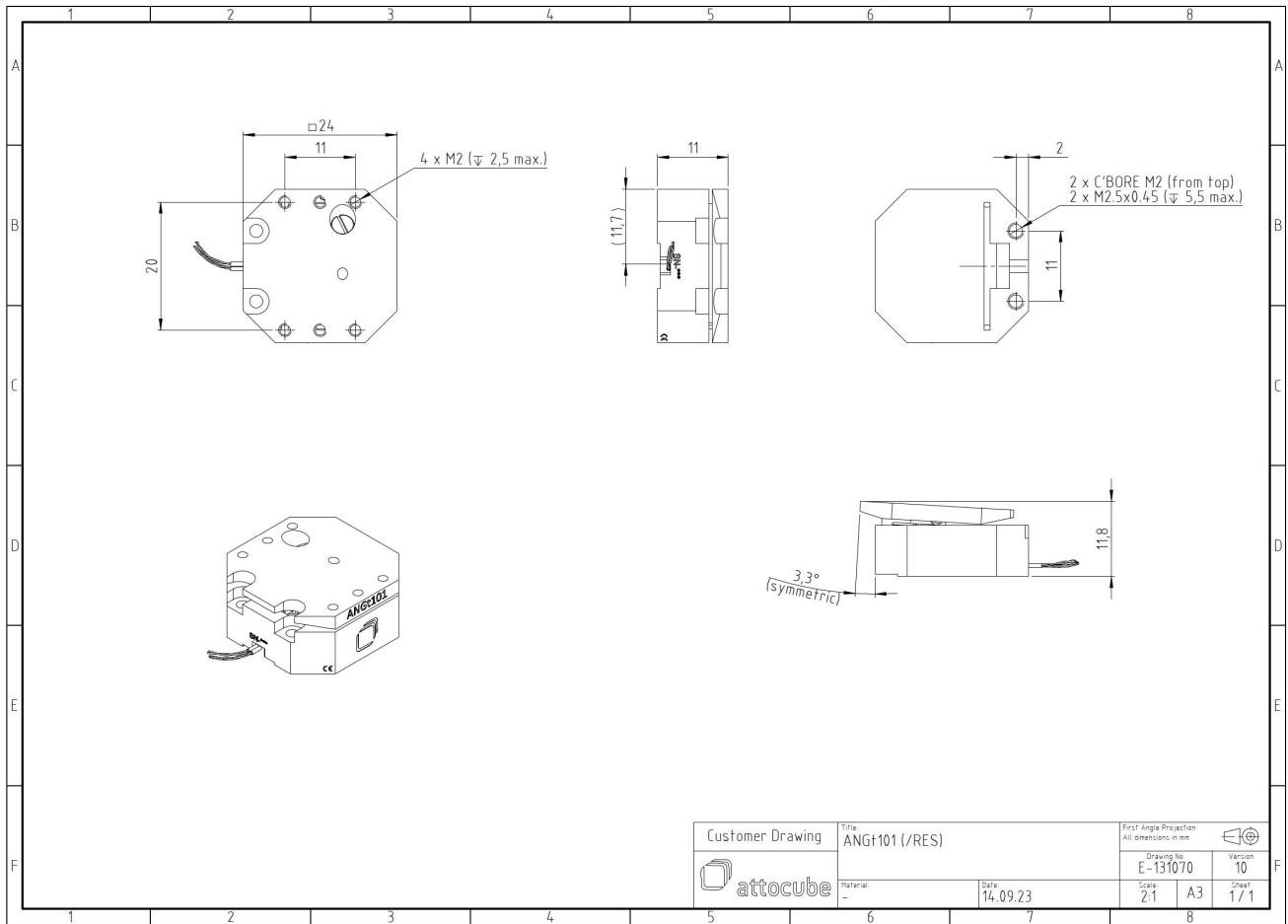


ANGt101/RES/LT - goniometer for "theta" tilting

1002798

Technical Specifications

Size and Dimensions	
footprint; height	24 mm x 24 mm; 11 mm
distance center of rotation to top	40 mm
maximum installation space	28.7 mm x 24 mm; 11.8 mm
weight	18 g
height	11 mm
cable	30 cm cable with connector
Materials	
positioner body	titanium
actuator	PZT ceramics
connecting wires	insulated twisted pair, copper
Coarse Positioning Mode	
travel range (step mode)	6.6 °
maximum drive velocity @ 300 K	~ 1 °/s
input voltage range	0 - 60 V
Fine Positioning Mode	
fine positioning resolution	no fine positioning capability
Position Encoder	
readout mechanism	resistive sensor
encoded travel range	full travel
sensor resolution	0.1 m°
sensor power (when measuring)	0.01 - 1 mW
repeatability	2 m°
Load (@ ambient conditions)	
maximum load	100 g
maximum dynamic force along the axis	2 N
General Specifications	
environment	/LT



Customer Drawing	Title: ANGH101 (/RES)		First Angle Projection All dimensions in mm	
	Material: -		Drawing No: E-131070	Version: 10
attocube		Date: 14.09.23	Scale: 2:1	Sheet: A3 1 / 1