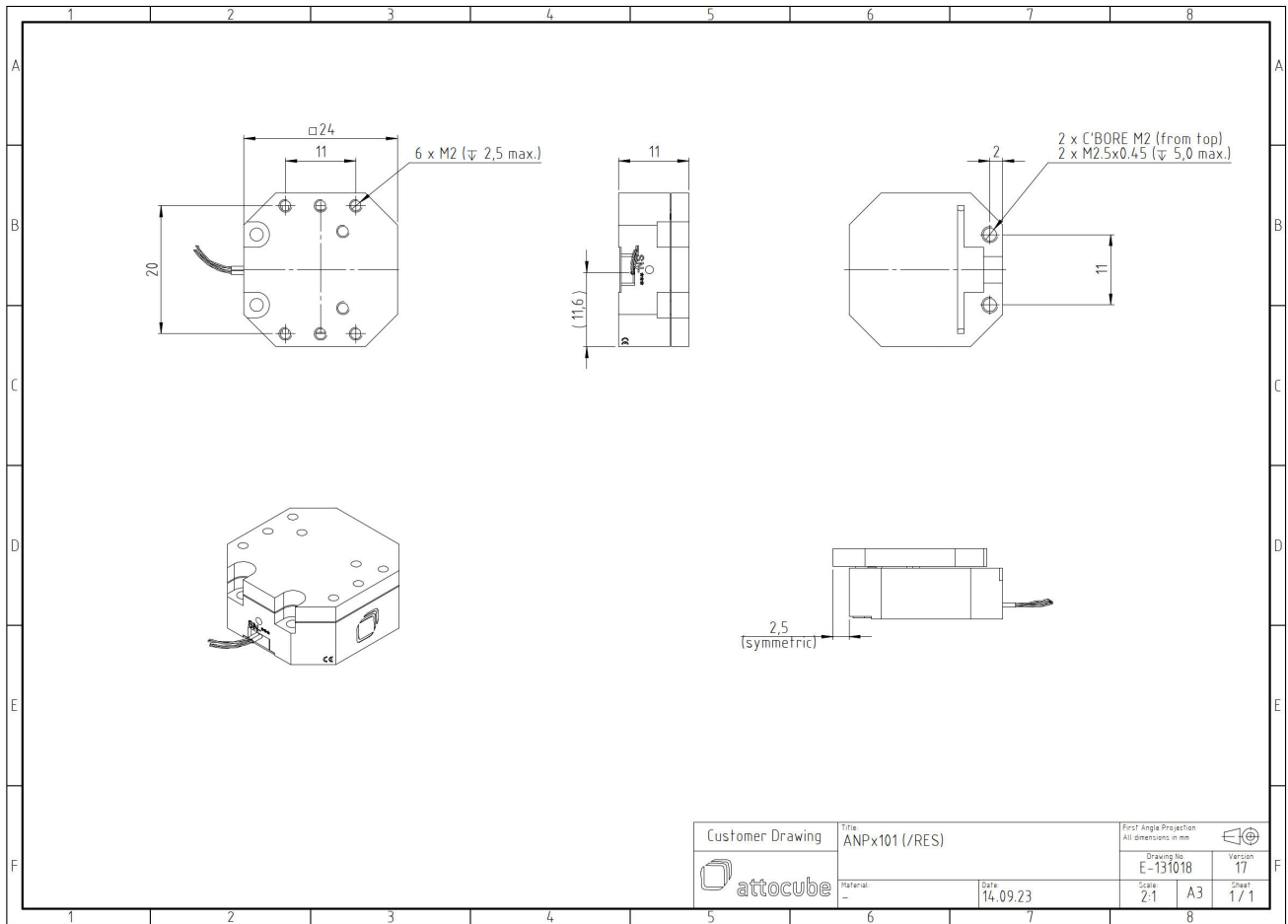


ANPx101/RES/UHV - linear x-nanopositioner

1002809

Technical Specifications

| | |
|---------------------------------------|--------------------------------|
| Size and Dimensions | |
| footprint; height | 24 mm x 24 mm; 11 mm |
| maximum installation space | 24 mm x 29 mm; 11 mm |
| weight | 20 g |
| height | 11 mm |
| cable | 30 cm cable with connector |
| Materials | |
| positioner body | titanium |
| actuator | PZT ceramics |
| connecting wires | insulated twisted pair, copper |
| Coarse Positioning Mode | |
| travel range (step mode) | 5 mm |
| maximum drive velocity @ 300 K | ~ 3 mm/s |
| input voltage range | 0 - 60 V |
| Fine Positioning Mode | |
| fine linear positioning range @ 300 K | 3.5 μ m |
| fine positioning resolution | sub-nm |
| input DC voltage range @ 300 K | 0 - 100 V |
| Position Encoder | |
| readout mechanism | resistive sensor |
| encoded travel range | full travel |
| sensor resolution | ~ 200 nm |
| sensor power (when measuring) | 0.01 - 1 mW |
| repeatability | 1..2 μ m (unidirectional) |
| Load (@ ambient conditions) | |
| maximum load | 100 g |
| maximum dynamic force along the axis | 2 N |
| General Specifications | |
| environment | /UHV |



| | | | | |
|------------------|-----------------------|------------|--|--------------|
| Customer Drawing | Title: ANPx101 (/RES) | | First Angle Projection All dimensions in mm | |
| | Material: -- | | Drawing No: E-131018 | Version: 17 |
| Date: 14.09.23 | | Scale: 2:1 | A3 | Sheet: 1 / 1 |