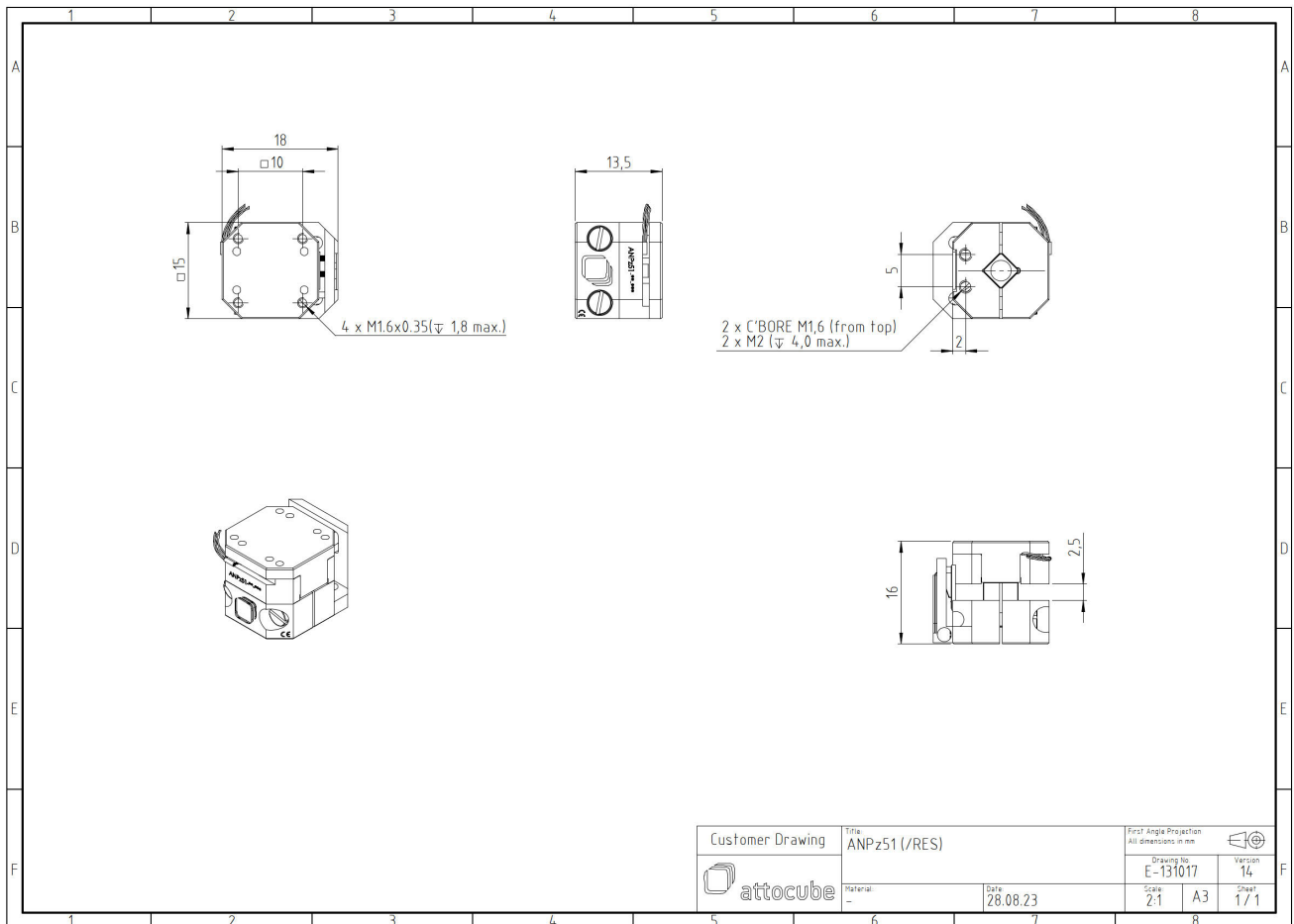


ANPz51/RT - linear z-nanopositioner

1002229

Technical Specifications

Size and Dimensions	
footprint; height	15 mm x 15 mm; 13.5 mm
maximum installation space	15 mm x 15 mm; 16 mm
weight	11 g
height	13.5 mm
cable	30 cm cable with connector
Materials	
positioner body	titanium
actuator	PZT ceramics
connecting wires	insulated twisted pair, copper
Coarse Positioning Mode	
travel range (step mode)	2.5 mm
maximum drive velocity @ 300 K	~ 1 mm/s
input voltage range	0 - 60 V
Fine Positioning Mode	
fine linear positioning range @ 300 K	3.5 μ m
fine positioning resolution	sub-nm
input DC voltage range @ 300 K	0 - 100 V
Load (@ ambient conditions)	
maximum load	50 g
maximum dynamic force along the axis	1 N
General Specifications	
environment	/RT



Customer Drawing 	Title ANPz51 (/RES)	First Angle Projection All dimensions in mm				
	Material -	Date 28.08.23	<table border="1"> <tr> <td>Drawing No. E-131017</td> <td>Version 14</td> </tr> <tr> <td>Scale 2:1</td> <td>A3 Sheet 1/1</td> </tr> </table>	Drawing No. E-131017	Version 14	Scale 2:1
Drawing No. E-131017	Version 14					
Scale 2:1	A3 Sheet 1/1					