

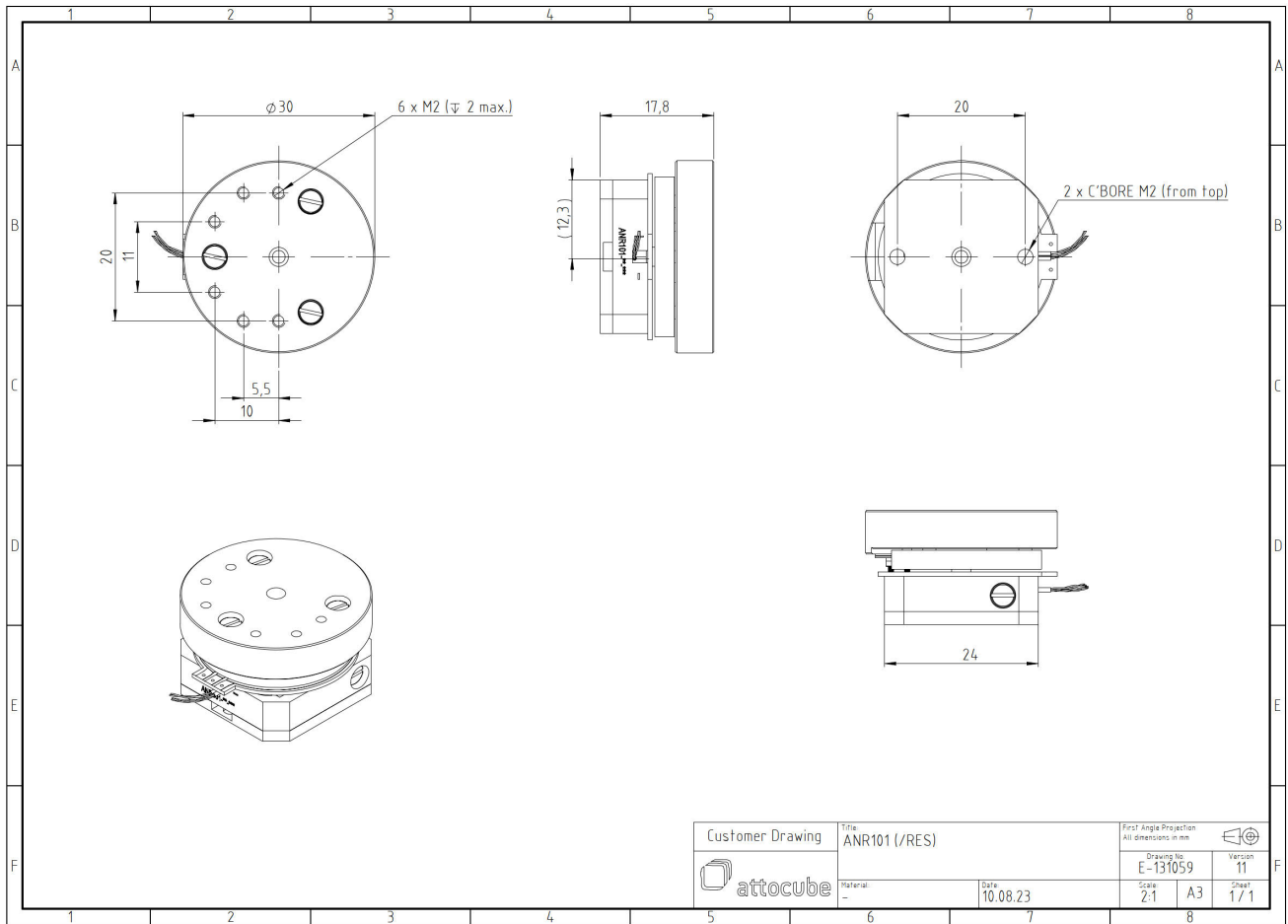
# ANR101/RES/RT - rotator (360° endless)

1002233



## Technical Specifications

Size and Dimensions	
footprint; height	24 mm x 24 mm; 15.8 mm
weight	36 g
height	17.8 mm
cable	30 cm cable with connector
Materials	
positioner body	titanium
actuator	PZT ceramics
connecting wires	insulated twisted pair, copper
Coarse Positioning Mode	
travel range (step mode)	360 ° endless
maximum drive velocity @ 300 K	~ 30 °/s
input voltage range	0 - 60 V
Fine Positioning Mode	
fine angular positioning range @ 300 K	50 m°
fine positioning resolution	μ°
input DC voltage range @ 300 K	0 - 120 V
Position Encoder	
readout mechanism	resistive sensor
encoded travel range	315°
sensor resolution	~ 6 m°
sensor power (when measuring)	0.01 - 1 mW
repeatability	50 m° (unidirectional)
Load (@ ambient conditions)	
maximum load	100 g
maximum dynamic torque around axis	0.8 Ncm
General Specifications	
environment	/RT



Customer Drawing	Title: ANR101 (/RES)		First Angle Projection All dimensions in mm	
	Material: ---		Drawing No: E-131059	Version: 11
Date: 10.08.23		Scale: 2:1	A3	Sheet: 1 / 1