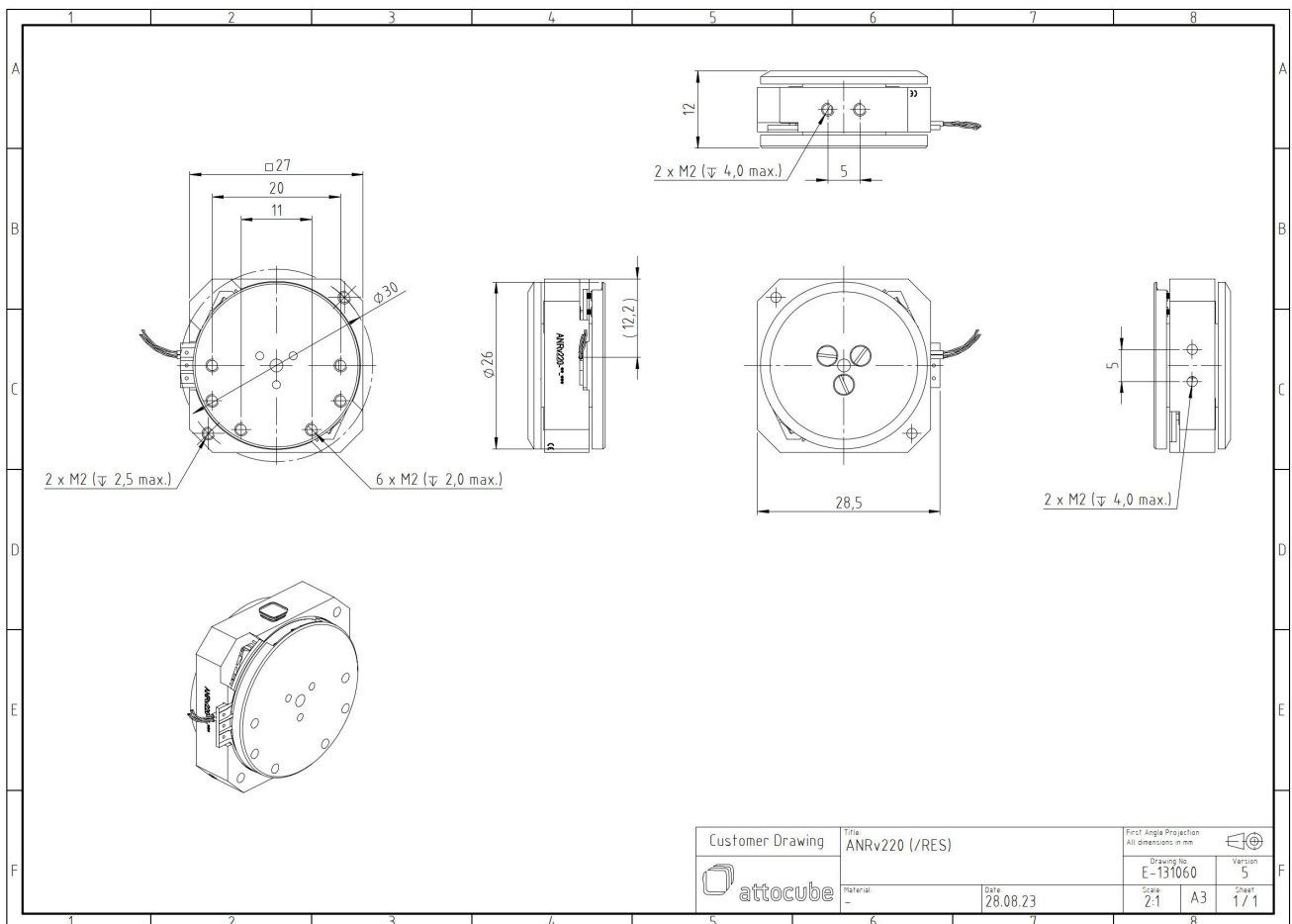


ANRv220/LT/UHV - rotator (360° endless)

1006361

Technical Specifications

Size and Dimensions	
footprint; height	27 mm x 12 mm; 27 mm
weight	37 g
height	27 mm
cable	30 cm cable with connector
Materials	
positioner body	beryllium copper & titanium
actuator	PZT ceramics
connecting wires	insulated twisted pair, copper
Coarse Positioning Mode	
travel range (step mode)	360 ° endless
maximum drive velocity @ 300 K	~ 30 °/s
input voltage range	0 - 60 V
Fine Positioning Mode	
fine angular positioning range @ 300 K	70 m°
fine angular positioning range @ 4 K	14 m°
fine positioning resolution	μ°
input DC voltage range @ 300 K	0 - 100 V
input DC voltage range @ 4 K	0 - 150 V
Load (@ ambient conditions)	
maximum load	100 g
maximum dynamic torque around axis	1 Ncm
General Specifications	
environment	/LT/UHV



Customer Drawing	Title: ANRv220 (/RES)	First Angle Projection All dimensions in mm
	Material: -	Scale: 2:1
	Date: 28.08.23	Version: 5
		Sheet: 1/1