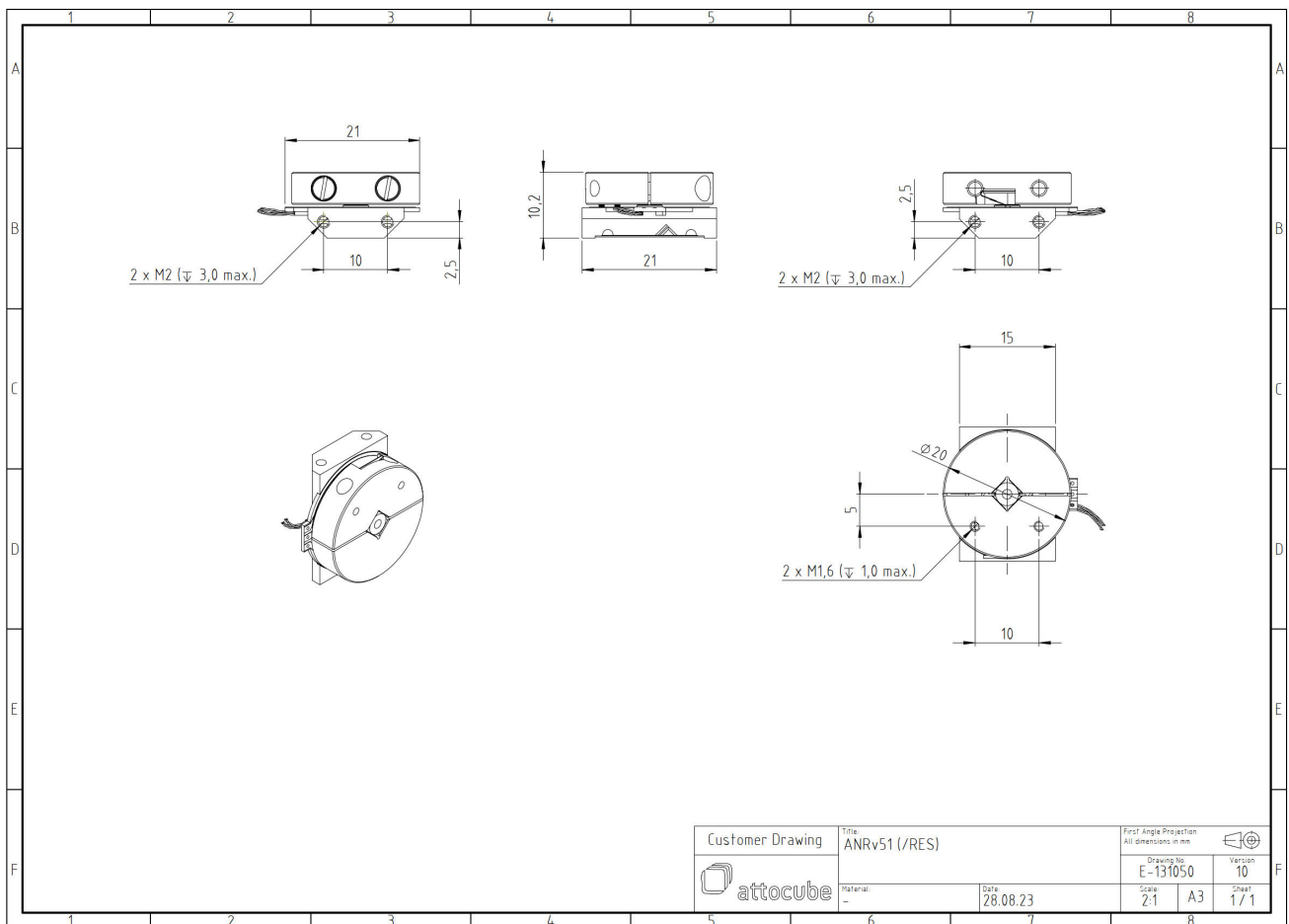


# ANRv51/LT/HV - rotator (360° endless)

1003301

## Technical Specifications

<b>Size and Dimensions</b>	
footprint; height	10 mm x 20 mm; 21 mm
weight	10 g
height	21 mm
cable	30 cm cable with connector
<b>Materials</b>	
positioner body	titanium
actuator	PZT ceramics
connecting wires	insulated twisted pair, copper
<b>Coarse Positioning Mode</b>	
travel range (step mode)	360 ° endless
maximum drive velocity @ 300 K	~ 10 °/s
input voltage range	0 - 60 V
<b>Fine Positioning Mode</b>	
fine angular positioning range @ 300 K	40 m°
fine angular positioning range @ 4 K	6 m°
fine positioning resolution	μ°
input DC voltage range @ 300 K	0 - 60 V
input DC voltage range @ 4 K	0 - 150 V
<b>Load (@ ambient conditions)</b>	
maximum load	20 g
maximum dynamic torque around axis	0.2 Ncm
<b>General Specifications</b>	
environment	/LT/HV



Customer Drawing 	Title ANRv51 (/RES)	First Angle Projection All dimensions in mm	
	Material -	Date 28.08.23	Scale 2:1
		Drawing No. E-131050	Version 10
		Sheet 1 / 1	A3