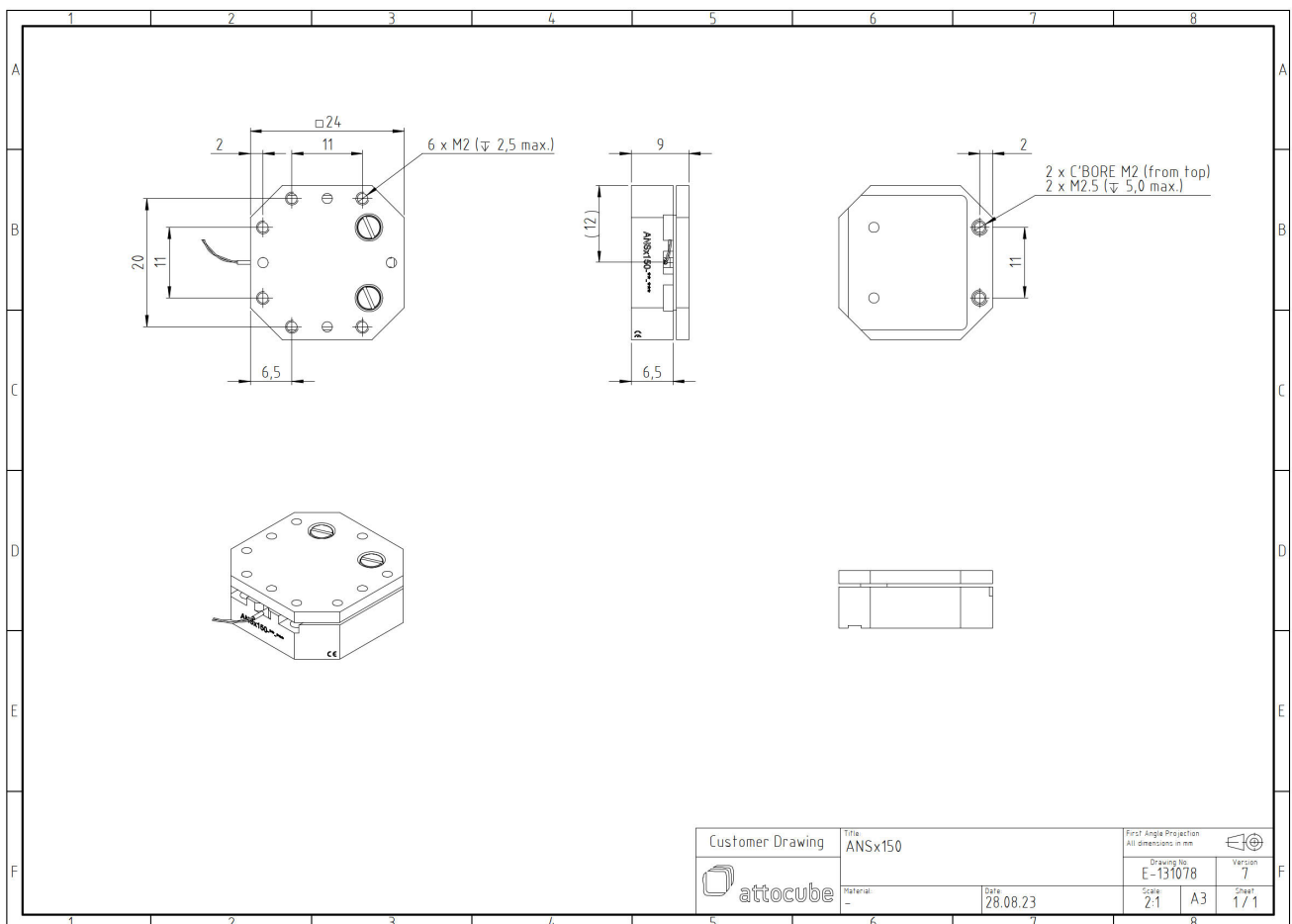


# ANSx150/RT x-Scanner made from Titanium

1006868

## Technical Specifications

<b>Size and Dimensions</b>	
footprint; height	24 mm x 24 mm; 9 mm
maximum installation space	24 mm x 24 mm; 9 mm
weight	18 g
height	9 mm
cable	30 cm cable with connector
<b>Materials</b>	
positioner body	titanium
actuator	PZT ceramics
connecting wires	insulated twisted pair, copper
<b>Fine Positioning Mode</b>	
fine linear positioning range @ 300 K	80 µm
fine linear positioning range @ 4 K	125 µm
fine positioning resolution	sub-nm
typical actuator capacitance fine @ 300 K	11.1 µF
input DC voltage range @ 300 K	0 - 60 V
*	scan range depends on environment
<b>Load (@ ambient conditions)</b>	
maximum load	100 g
<b>General Specifications</b>	
environment	/RT



Customer Drawing 	Title: ANSx150	First Angle Projection All dimensions in mm						
	Material: -	Date: 28.08.23	<table border="1"> <tr> <td>Drawing No: E-131078</td> <td>Version: 7</td> </tr> <tr> <td>Scale: 2:1</td> <td>A3</td> </tr> <tr> <td></td> <td>Sheet: 1/1</td> </tr> </table>	Drawing No: E-131078	Version: 7	Scale: 2:1	A3	
Drawing No: E-131078	Version: 7							
Scale: 2:1	A3							
	Sheet: 1/1							