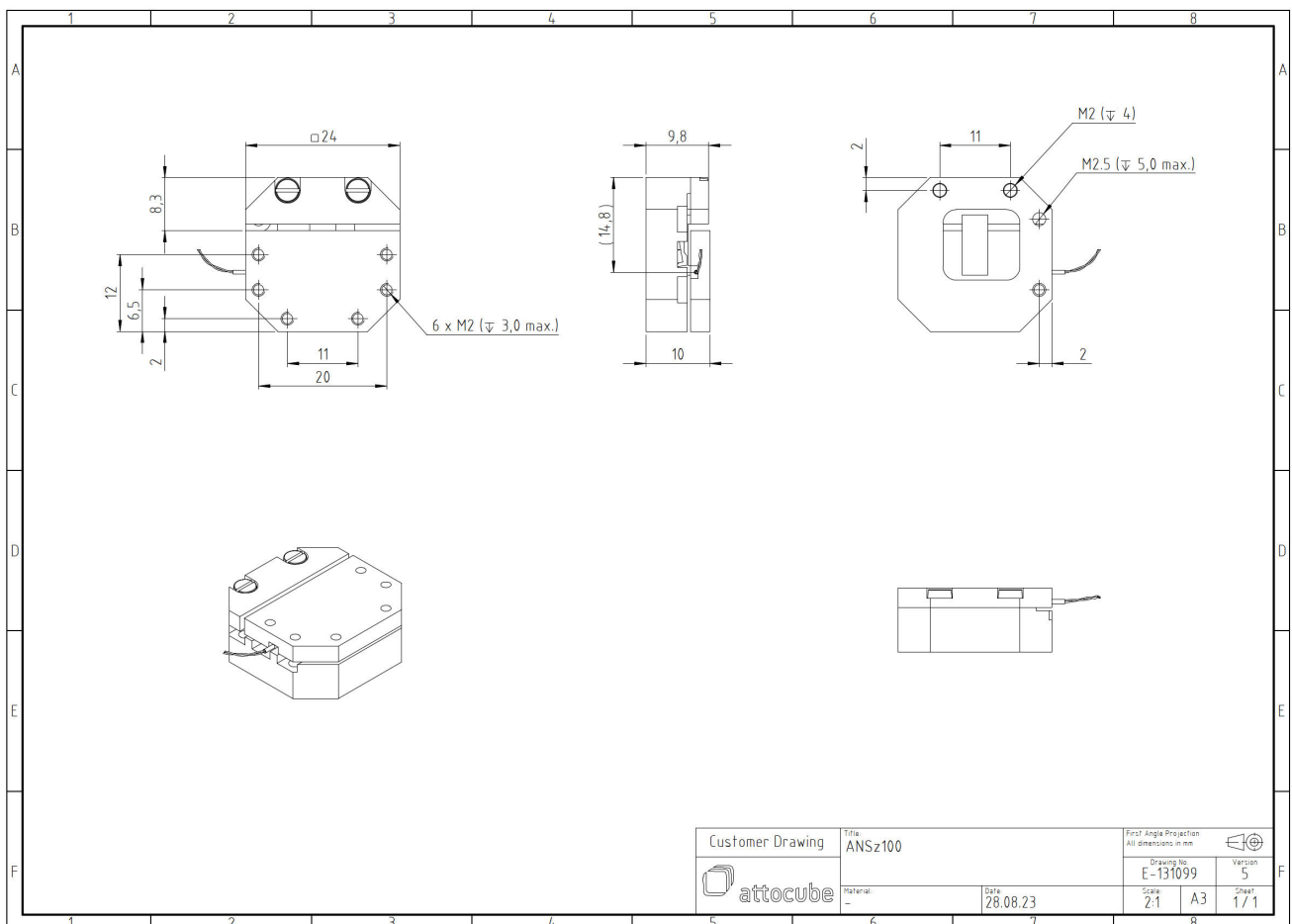


ANSz100std/RT z-Scanner made from Titanium

1001360

Technical Specifications

Size and Dimensions	
footprint; height	24 mm x 24 mm; 10 mm
maximum installation space	24 mm x 24 mm; 10 mm
weight	19 g
height	10 mm
cable	30 cm cable with connector
Materials	
positioner body	titanium
actuator	PZT ceramics
connecting wires	insulated twisted pair, copper
Fine Positioning Mode	
fine linear positioning range @ 300 K	24 μ m
fine linear positioning range @ 4 K	15 μ m
fine positioning resolution	sub-nm
typical actuator capacitance fine @ 300 K	1.4 μ F
input DC voltage range @ 300 K	0 - 60 V
*	scan range depends on environment
Load (@ ambient conditions)	
maximum load	100 g
General Specifications	
environment	/RT



Customer Drawing 	Title: ANSz100	First Angle Projection All dimensions in mm
	Material: -	Date: 28.08.23
	Drawing No: E-131099	Version: 5
	Scale: 2:1	A3 Sheet: 1/1