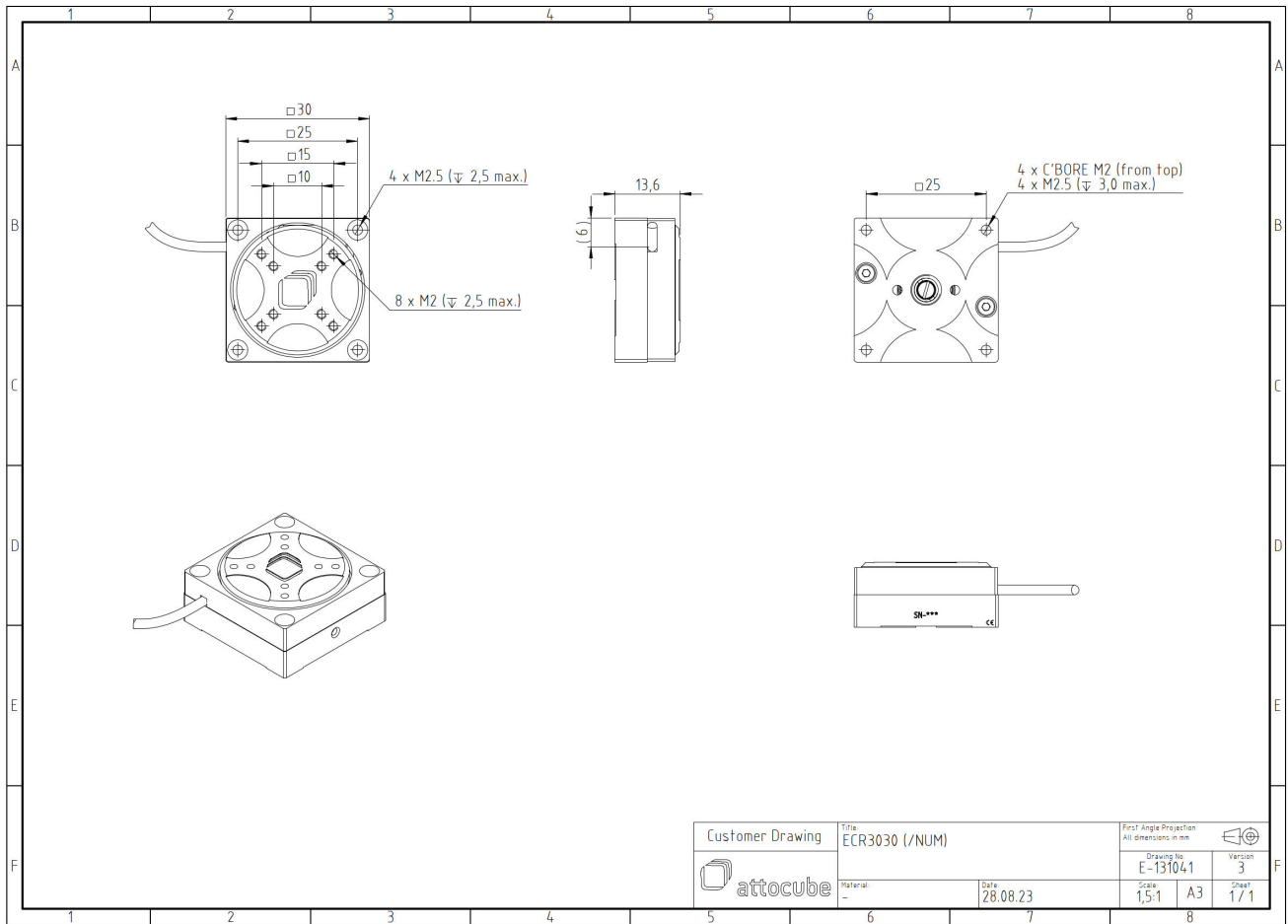


# ECR3030/StSt/NUM/UHV

1006213

## Technical Specifications

<b>Size and Dimensions</b>	
footprint; height	30mm x 30 mm; 13.5 mm
weight (stainless steel version)	66 g
height	13.5 mm
cable	50 cm cable with connector
<b>Materials</b>	
positioner body	stainless steel
actuator	PZT ceramics
connecting wires	copper, jacket: RT: PTFE, HV/UHV: fiberglass
<b>Coarse Positioning Mode</b>	
travel range (step mode)	360 ° endless
maximum drive velocity @ 300 K	10 °/s
input voltage range	0 - 45 V
<b>Fine Positioning Mode</b>	
fine angular positioning range @ 300 K	12 m°
fine positioning resolution	μ°
input DC voltage range	0 - 45 V
<b>Position Encoder</b>	
readout mechanism	on request (application specific evaluation required)
encoded travel range	360°
sensor resolution	0.01 m°
sensor power (when measuring)	300 mW
repeatability	1 m° (bidirectional)
<b>Load (@ ambient conditions)</b>	
maximum load	on request (application specific evaluation required)
maximum dynamic torque around axis	on request (application specific evaluation required)
<b>General Specifications</b>	
environment	ultra-high vacuum



Customer Drawing	Title: ECR3030 (/NUM)		First Angle Projection All dimensions in mm	
	Material: -		Drawing No: E-131041	Version: 3
Date: 28.08.23		Scale: 1,5:1	A3	Sheet: 1 / 1

