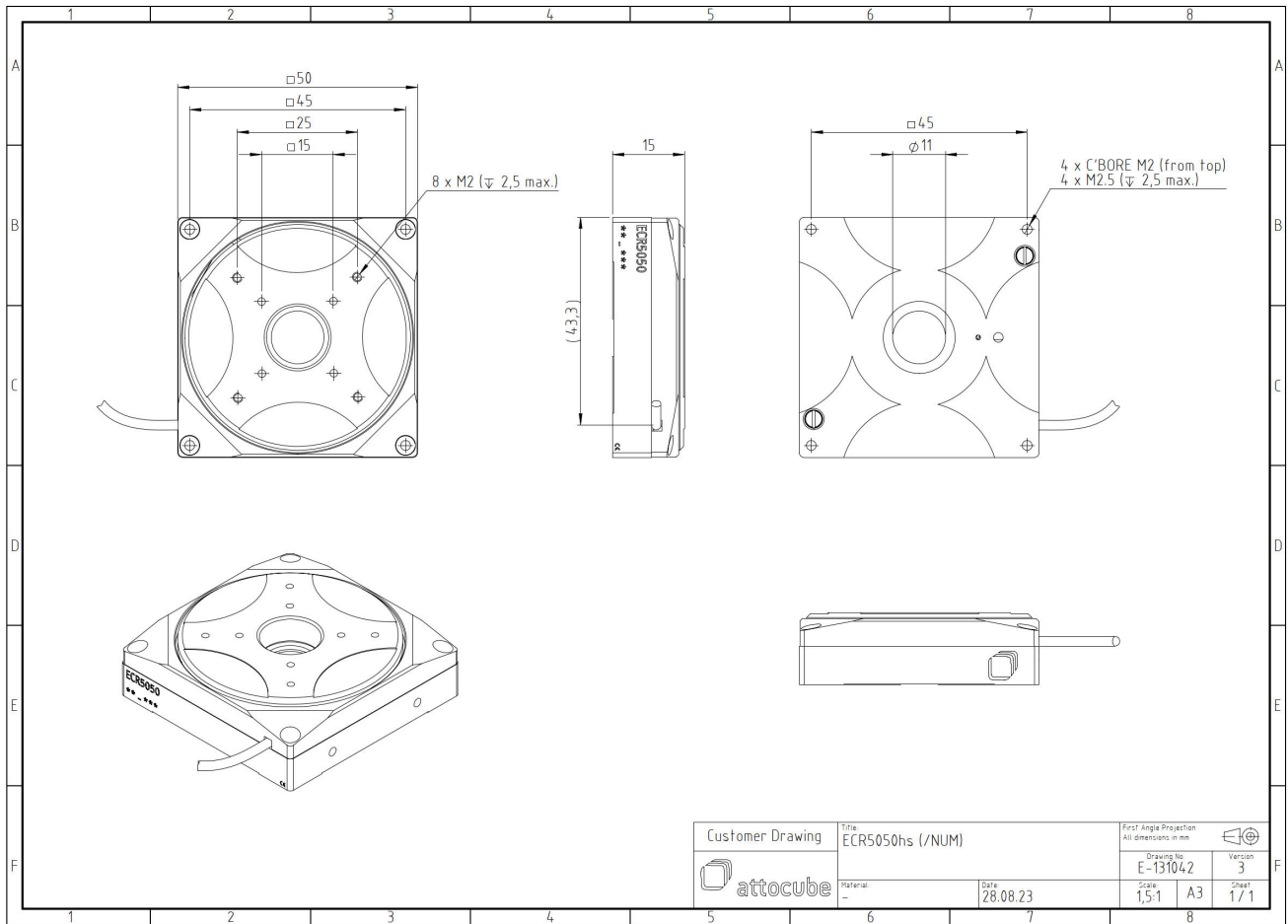



ECR5050hs/StSt/NUM/UHV

1021703

Technical Specifications

Size and Dimensions	
footprint; height	50 mm x 50 mm; 15 mm
weight (stainless steel version)	214 g
height	15 mm
cable	50 cm cable with connector
Materials	
positioner body	stainless steel
actuator	PZT ceramics
connecting wires	copper, jacket: RT: PTFE, HV/UHV: fiberglass
Coarse Positioning Mode	
travel range (step mode)	360 ° endless
maximum drive velocity @ 300 K	15 °/s
input voltage range	0 - 45 V
Fine Positioning Mode	
fine angular positioning range @ 300 K	20 m°
fine positioning resolution	μ°
input DC voltage range	0 - 45 V
Position Encoder	
readout mechanism	optoelectronic sensor
encoded travel range	360°
sensor resolution	0.01 m°
sensor power (when measuring)	300 mW
repeatability	1 m° (bidirectional)
Load (@ ambient conditions)	
maximum load	2 kg
maximum dynamic torque around axis	1 Ncm
Error Motion	
wobble	< 1 mrad
General Specifications	
environment	ultra-high vacuum



Customer Drawing	Title	ECR5050hs (/NUM)		First Angle Projection All dimensions in mm	
	Material	Date	28.08.23	Drawing No.	Version
				E-131042	3
				Scale	Sheet
				1,5:1	A3 1 / 1