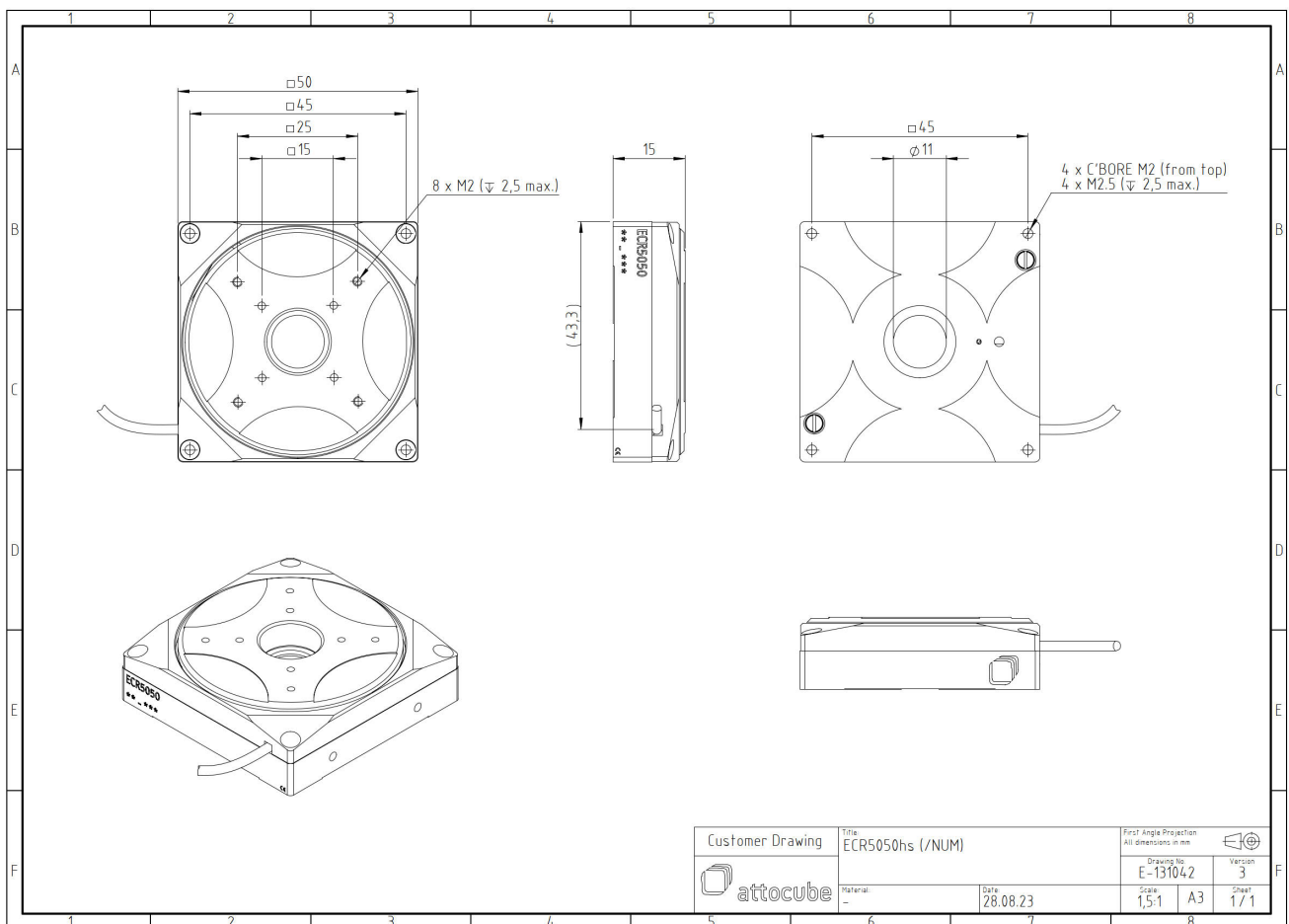


ECR5050hs/StSt/UHV

1012484

Technical Specifications

Size and Dimensions	
footprint; height	50 mm x 50 mm; 15 mm
weight (stainless steel version)	214 g
height	15 mm
cable	50 cm cable with connector
Materials	
positioner body	stainless steel
actuator	PZT ceramics
connecting wires	copper, jacket: RT: PTFE, HV/UHV: fiberglass
Coarse Positioning Mode	
travel range (step mode)	360 ° endless
maximum drive velocity @ 300 K	15 °/s
input voltage range	0 - 45 V
Fine Positioning Mode	
fine angular positioning range @ 300 K	20 m°
fine positioning resolution	μ°
input DC voltage range	0 - 45 V
Load (@ ambient conditions)	
maximum load	2 kg
maximum dynamic torque around axis	1 Ncm
General Specifications	
environment	ultra-high vacuum



Customer Drawing	Title: ECR5050hs (/NUM)	First Angle Projection All dimensions in mm
	Material: -	Scale: 1,5:1
	Date: 28.08.23	Sheet: 1 / 1
		Version: 3
		Drawing No: E-131042