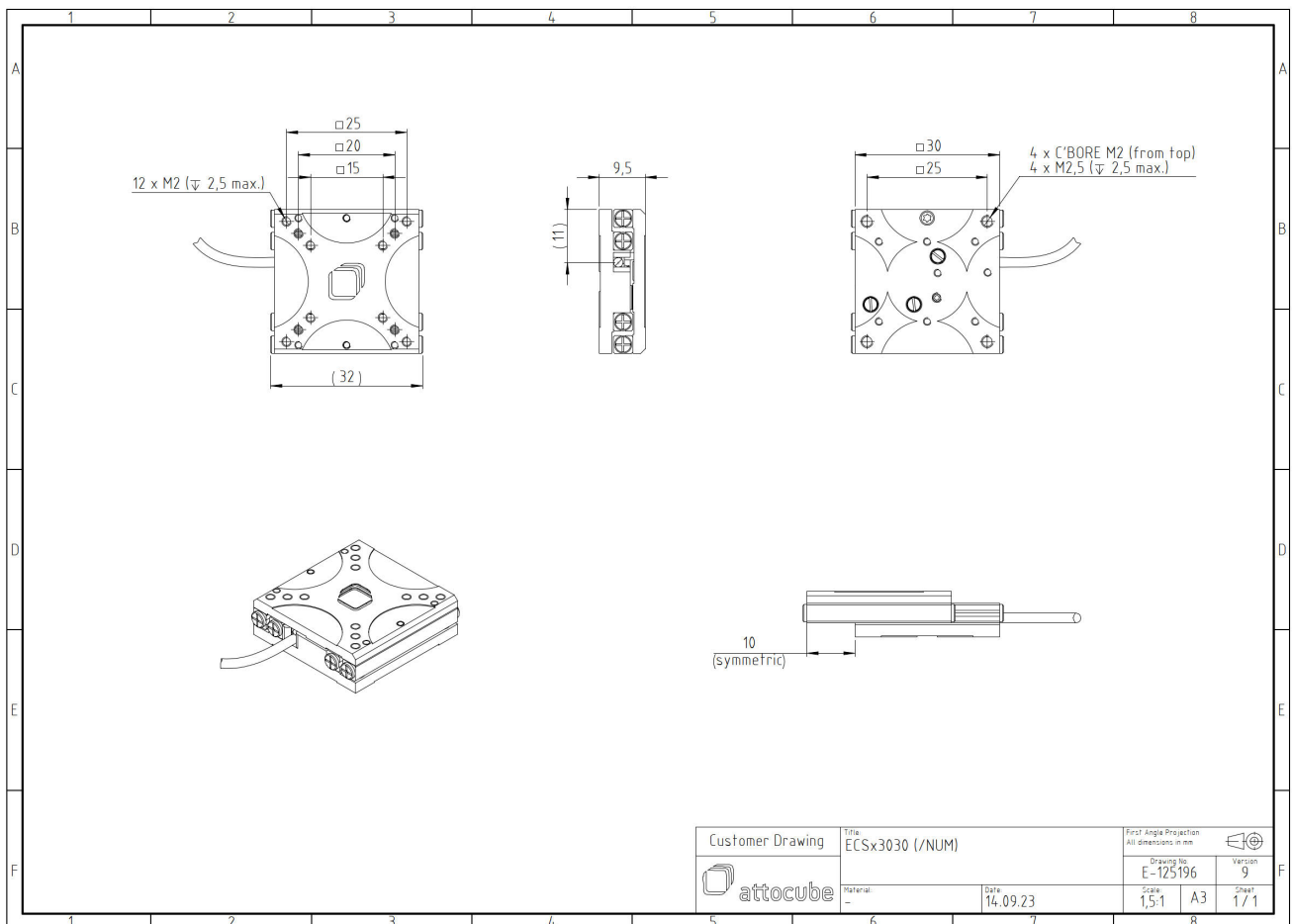


Technical Specifications

Size and Dimensions	
footprint; height	30 mm x 30 mm; 9.5 mm
maximum installation space	30 mm x 51.6 mm; 9.5 mm
weight (aluminium version)	29 g
height	9.5 mm
cable	50 cm cable with connector
Materials	
positioner body	aluminum
positioner body (/HV, /UHV)	stainless steel
actuator	PZT ceramics
connecting wires	copper, jacket: RT: PTFE, HV/UHV: fiberglass
Coarse Positioning Mode	
travel range (step mode)	20 mm
maximum drive velocity @ 300 K	4.5 mm/s
input voltage range	0 - 45 V
Fine Positioning Mode	
fine linear positioning range @ 300 K	1.6 µm
fine positioning resolution	sub-nm
input DC voltage range	0 - 45 V
Load (@ ambient conditions)	
maximum load	1 kg
maximum dynamic force along the axis	1 N
General Specifications	
environment	/RT
operating temperature range	17 - 25 °C
operating humidity range	40 - 60%



Customer Drawing	Title ECSx3030 (/NUM)	First Angle Projection All dimensions in mm
	Material: -	Scale: 1,5:1
	Date: 14.09.23	Version: 9
		Sheet: 1 / 1